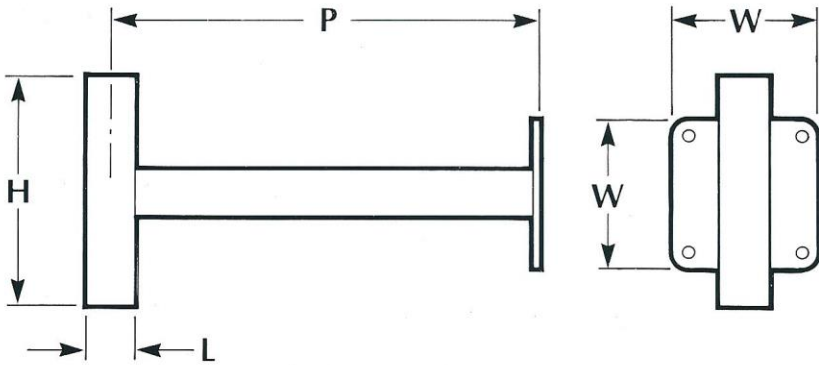
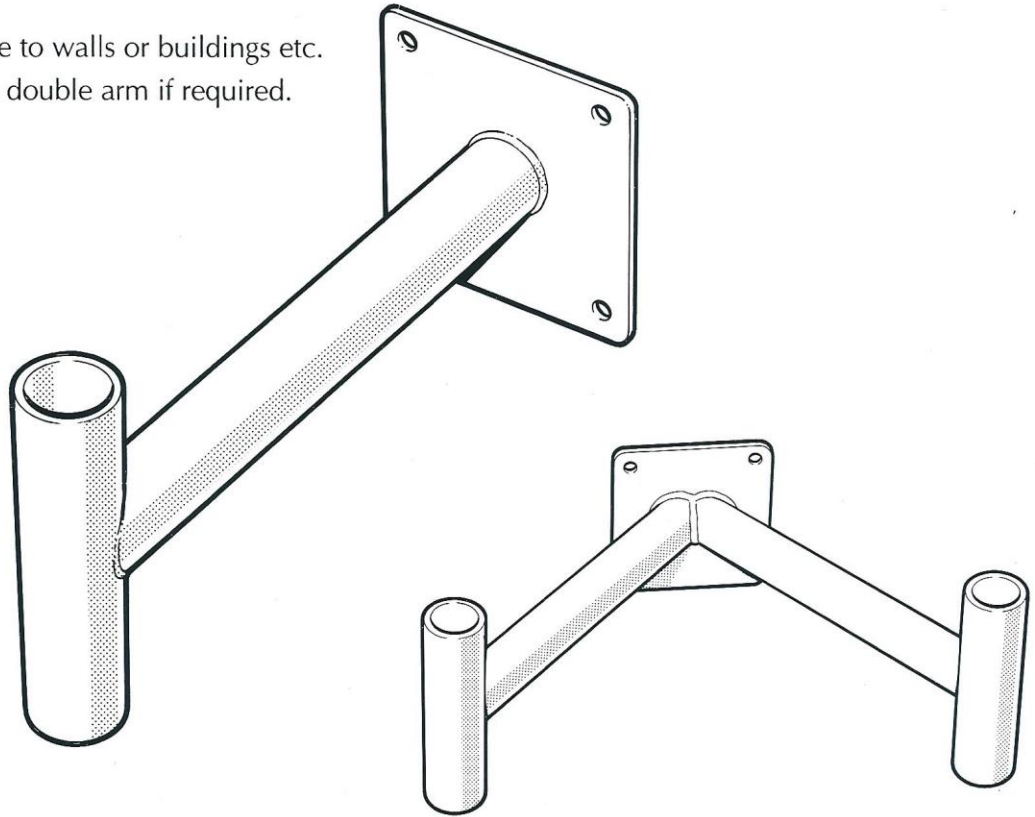


Sphere Wall Bracket

For mounting single sphere to walls or buildings etc.
 Can also be supplied with double arm if required.
 Galvanised to BS 729.



STANDARD BRACKET SIZES						
Part Number	H	L	P	W	Number of Arms	Finish
WB/8410	300	60	600	200sq	1	Galv

YOUR REQUIREMENTS					
H	L	P	W	Number of Arms	Finish