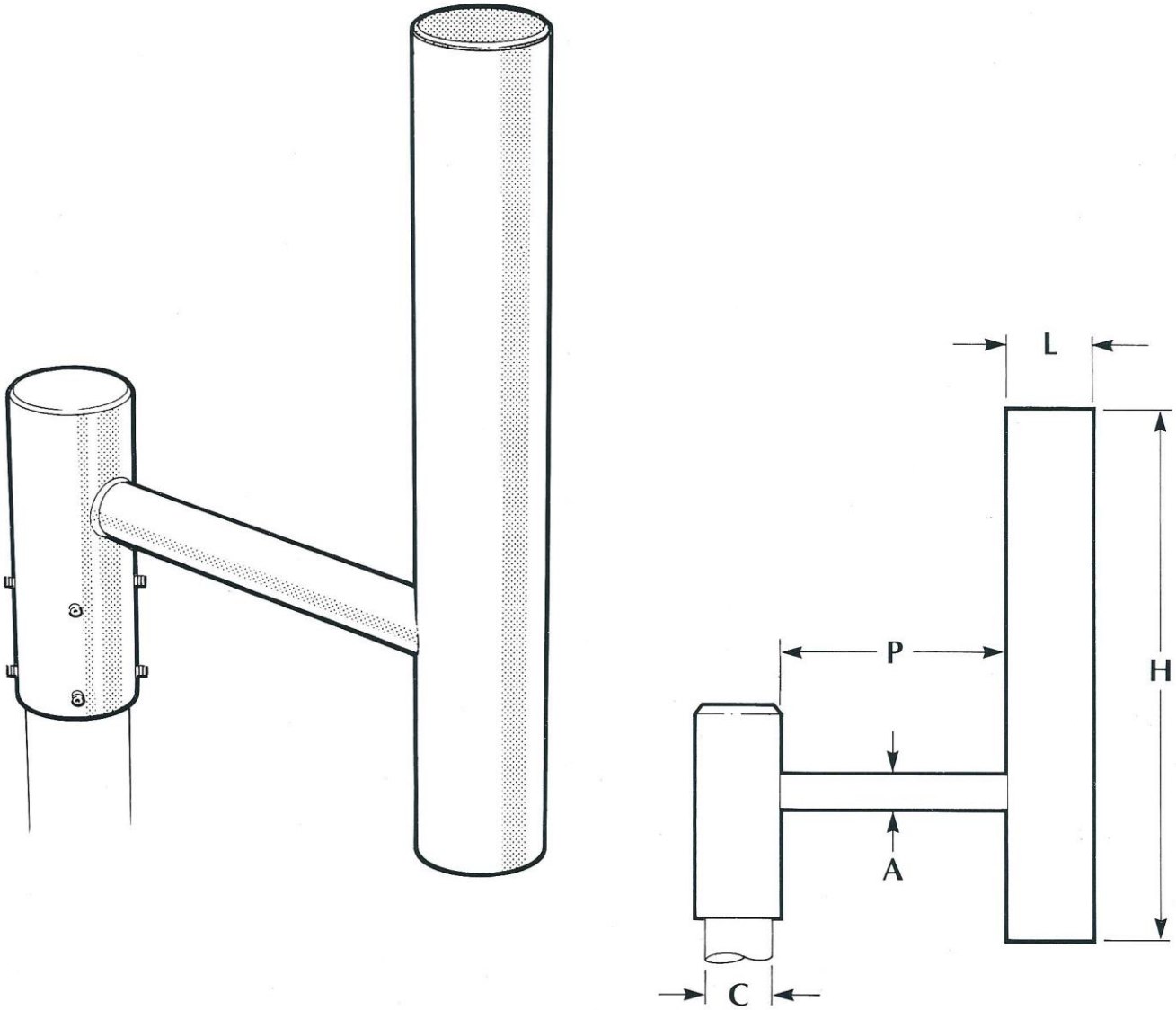


Off Set Bracket

This bracket is designed to give extra height and extended reach for mounting signs where required.
 Manufactured from mild steel and galvanised to BS 729.

Each bracket is fitted with 8 stainless steel grub screws.



YOUR REQUIREMENTS					
C	A	H	P	L	Finish